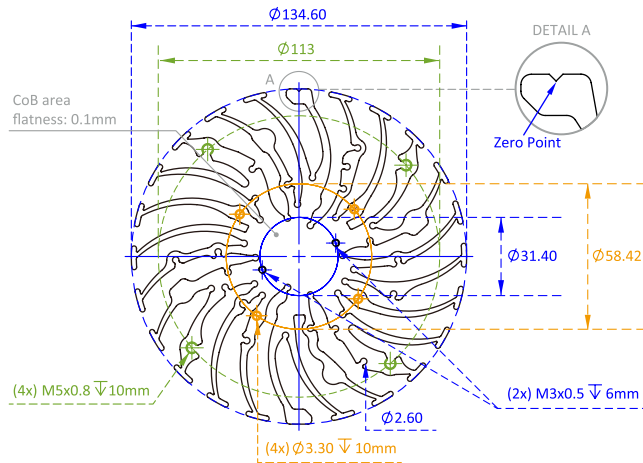


ø134 x H20 / 50 / 100 (mm)
 Rth 1.32 - 0.88 - 0.67 °C/W
 Power Pd 38 - 57 - 75 W

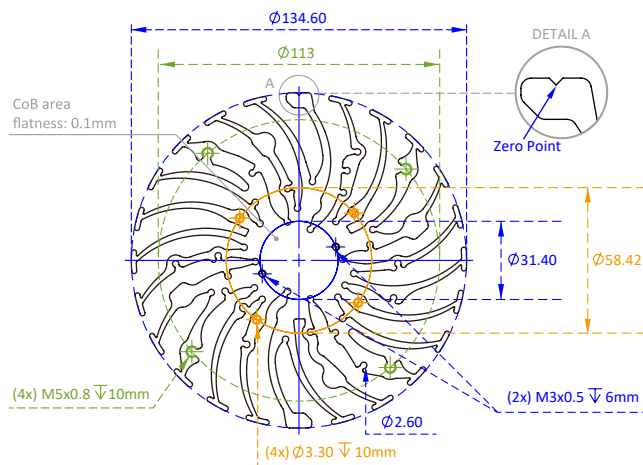
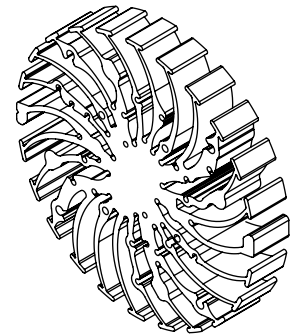
MORE PRODUCT DETAILS

ModuLED Mega Modular Passive Star LED Cooler ø134mm

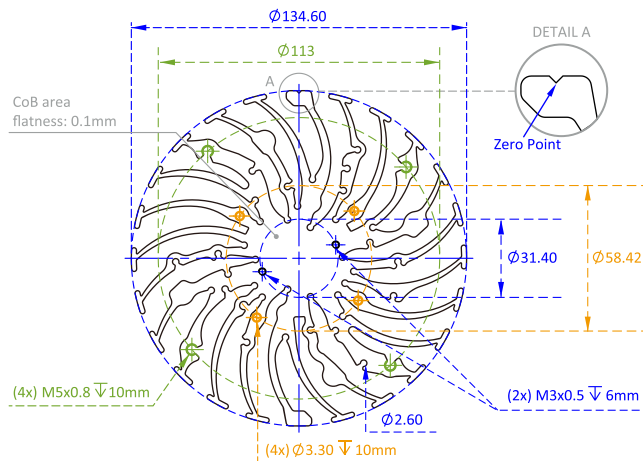
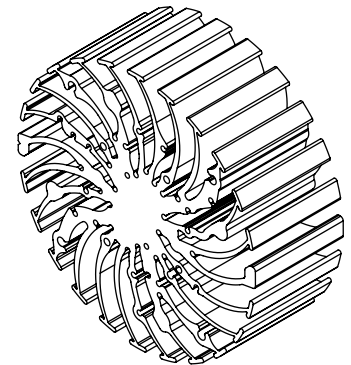
Drawings & Dimensions



Example: ModuLED Mega 13420



Example: ModuLED Mega 13450



Example: ModuLED Mega 134100

